

Static & Contamination Control AK4000 Series Air Knife



The **AK4000 Air Knife**, easy to mount and maintain, is the most efficient Air Knife design available, reducing noise levels and air consumption while providing optimal blow-off energy. The **AK4000 Air Knife** produces a "laminar" airflow along its entire length using the "Coanda" effect, entraining ambient air, amplifying the compressed air input by as much as 40 times at the output.

The **AK4100 Ionizing Air Knife** incorporates the **4103 High-Speed Static Bar**, ideal for neutralizing electrostatic charges at distance, eliminating ESA (electrostatic attraction) on surfaces and materials that can attract and hold on to contamination, and blowing off particulates.



AK4000 / AK4100

■ SPECIFICATIONS

AK4000 Air Knife

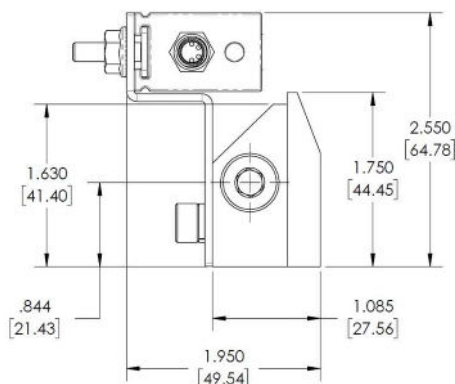
- Available in lengths 3", 6", 9" & 12", then in 6" increments up to 54"; can be mounted toe-to-toe for longer coverage
- See cross-section view below for dimensions
- Weight: 0.25 lbs./inch of length (0.11 kg/inch)

AK4100 Ionizing Air Knife

- Certifications: UL / cUL

■ APPLICATIONS

- Neutralize & cool Injection Molded Plastic Parts
- Eliminate static to efficiently blow-off particulates along entire length of air knife, and mitigate recontamination due to ESA



■ FEATURES & BENEFITS

- Gold Anodized Aluminum Body with Stainless Steel, long-life shims for low maintenance
- Compact, simple, lightweight design
- Air Inlets at ends and back for easy plumbing
- Up to 40X Input > Output Air Amplification
- Low Noise Levels at 69dBA or less
- Lower compressed air consumption than drilled pipe or rows of jets or nozzles
- Place end-to-end to cover larger areas/targets

- Clean & Neutralize parts before Paint or Finish
- Clean & Neutralize Irregular Shape Parts and Packages
- Bag Opening & Filling Operations
- Neutralize Static Charges at extended range

