

# CONTAMINATION CONTROL

## HepaClean Chamber

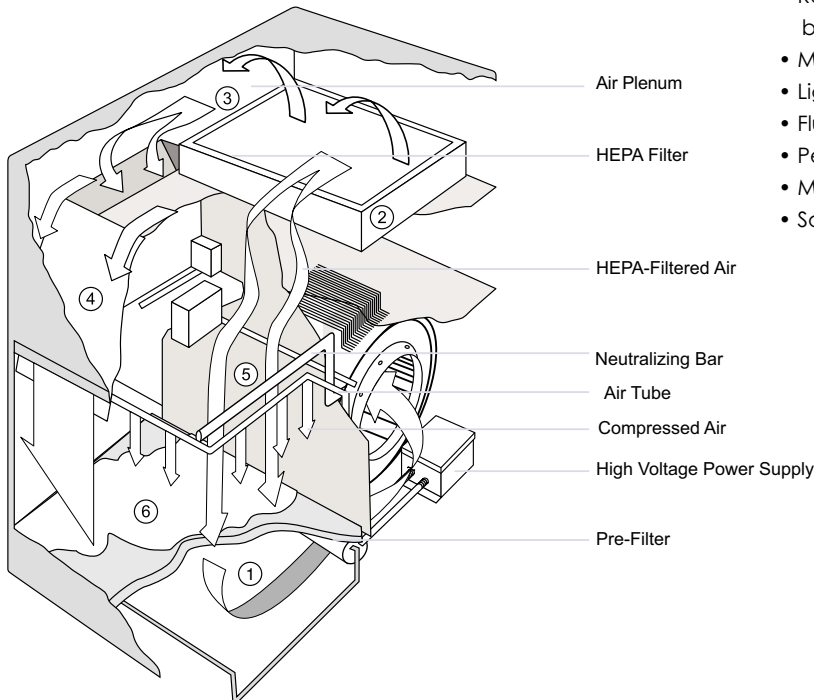
### Hepa 2500/3000 Parts Cleaning System



The HepaClean Chamber is a stainless steel closed loop parts cleaning system that employs three proven cleaning tools—static neutralization, high velocity compressed air and advanced HEPA filtration—in a single, compact unit occupying minimal bench space. It is most commonly used in Medical Packaging applications and wherever there is a requirement for scrupulously clean parts. Electrostatically charged parts placed inside the cleaning chamber are instantly and simultaneously cleaned and neutralized. The HepaClean Chamber is used both outside and inside certified Clean Rooms. It is the only self-contained cleaning system available that allows you to clean parts in a clean room with little risk of contaminating the surrounding environment.

#### FEATURES INCLUDE:

- Stainless Steel Construction
- HEPA filter (99% efficient at 0.3 micron)
- Direct drive high velocity air blower with balanced impeller for quiet operation
- Removeable side panels for pass through operation; can also be mullioned together to accommodate larger cleaning zones.
- Multi-layered pre-filter
- Lighted rocker switch
- Fluorescent Interior work light
- Perforated stainless steel work surface
- Motion sensor for automatic operation
- Solenoid valve for automatic operation



#### Specifications: 2500/3000

MODEL	overall dimension		working chamber	
	2500	3000	2500	3000
WIDTH:	14"	14"	13"	13"
HEIGHT:	26"	26"	10"	10"
DEPTH:	25"	33"	12"	20"
WEIGHT:	100lbs	120lbs		
MAX. CURRENT:	3 amps			
INPUT POWER:	115 VAC 50/60 Hz			