



**Installation,
Operation, and
Service Information
with Replacement
Parts List**

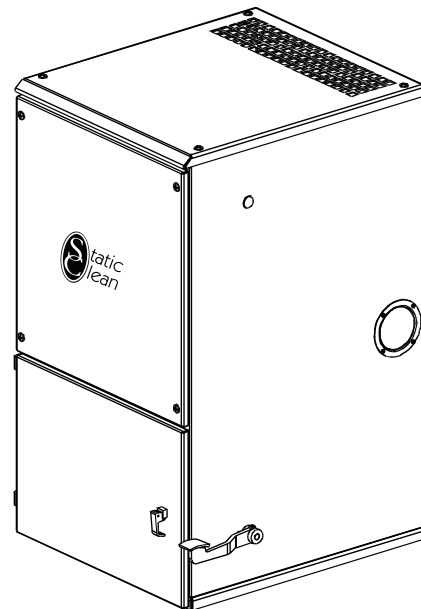
Installation and Operation Manual

**Static Clean
Cabinet Dust Collectors
Models VQM5003, 5005 and 5012**



This is the safety alert symbol. It is used to alert you to potential personal injury hazards. Obey all safety messages that follow this symbol to avoid possible injury or death.

*Illustrations are for reference only,
as actual product may vary.*



This manual is property of the owner. Leave with the unit when set-up and start-up are complete. Static Clean reserves the right to change design and specifications without prior notice.

IOM 7567701
Revision 2



APPLICATION OF DUST CONTROL EQUIPMENT

Combustible materials such as buffing lint, paper, wood, metal dusts, weld fume, or flammable coolants or solvents represent potential fire and/or explosion hazards. Use special care when selecting, installing, and operating all dust, fume, or mist collection equipment when such combustible materials may be present in order to protect workers and property from serious injury or damage due to a fire and/or explosion.

Consult and comply with all National and Local Codes related to fire and/or explosion properties of combustible materials when determining the location and operation of all dust, fume, or mist collection equipment.

When combustible materials are present you must consult with an expert in fire extinguishing and/or explosion protection systems, who is also familiar with the local codes, for support and guidance on the selection and installation of an appropriate fire and/or explosion protection system.

DO NOT allow sparks, cigarettes or other burning objects to enter the hood or duct of any dust, fume, or mist collection equipment as these may initiate a fire or explosion of any combustible materials accumulated in the collector.

Improper operation of a dust, fume, or mist control system may contribute to conditions in the work area or facility that could result in severe personal injury and product or property damage. Check that all dust, fume, or mist collection equipment is properly selected, installed, and operated for its intended use.

This manual contains specific precautionary statement relative to worker safety. Read this manual thoroughly and comply as directed. Instruct all personnel on the safe use and maintenance procedures related to this equipment. Discuss any questions on the application, use, or maintenance of this equipment with a Static Clean representative.

For optimum collector performance, use only original equipment replacement parts.

Contents

Description.....	4	Service Information	9
Purpose and Intended Use	4	Cabinet Maintenance	9
Operation.....	6	EZ Filter Pack™ Maintenance	10
Inspection on Arrival.....	7	EZ Filter Pack Installation.....	10
Installation Codes and Procedures.....	7	Optional Equipment	13
Installation	7	HEPA Filter Pack	13
Site Selection, Grade-Mounted Units.....	7	Troubleshooting	14
Unit Location	7	Service Notes.....	16
Electrical Wiring	8	Replacement Parts List	
Motor Starter	8	Static Clean Collector, VQM5003.....	18
Standard Equipment.....	9	Static Clean Collector, VQM5005 and	
Ductwork.....	9	& VQM5012	20
Start-Up	9	Optional HEPA Filter.....	24
		Gasket Replacement	25
		Service Notes.....	26



DANGER indicates a hazardous situation which, if not avoided, will result in death or serious injury.



WARNING indicates a hazardous situation which, if not avoided, could result in death or serious injury.



CAUTION, used with the safety alert symbol, indicates a hazardous situation which, if not avoided, could result in minor or moderate injury.



NOTICE is used to address practices not related to personal injury.

Data Sheet

Model Number _____	Serial Number _____
Ship Date _____	Installation Date _____
Customer Name _____	
Address _____	

Filter Type _____	
Accessories _____	
Other _____	

Description

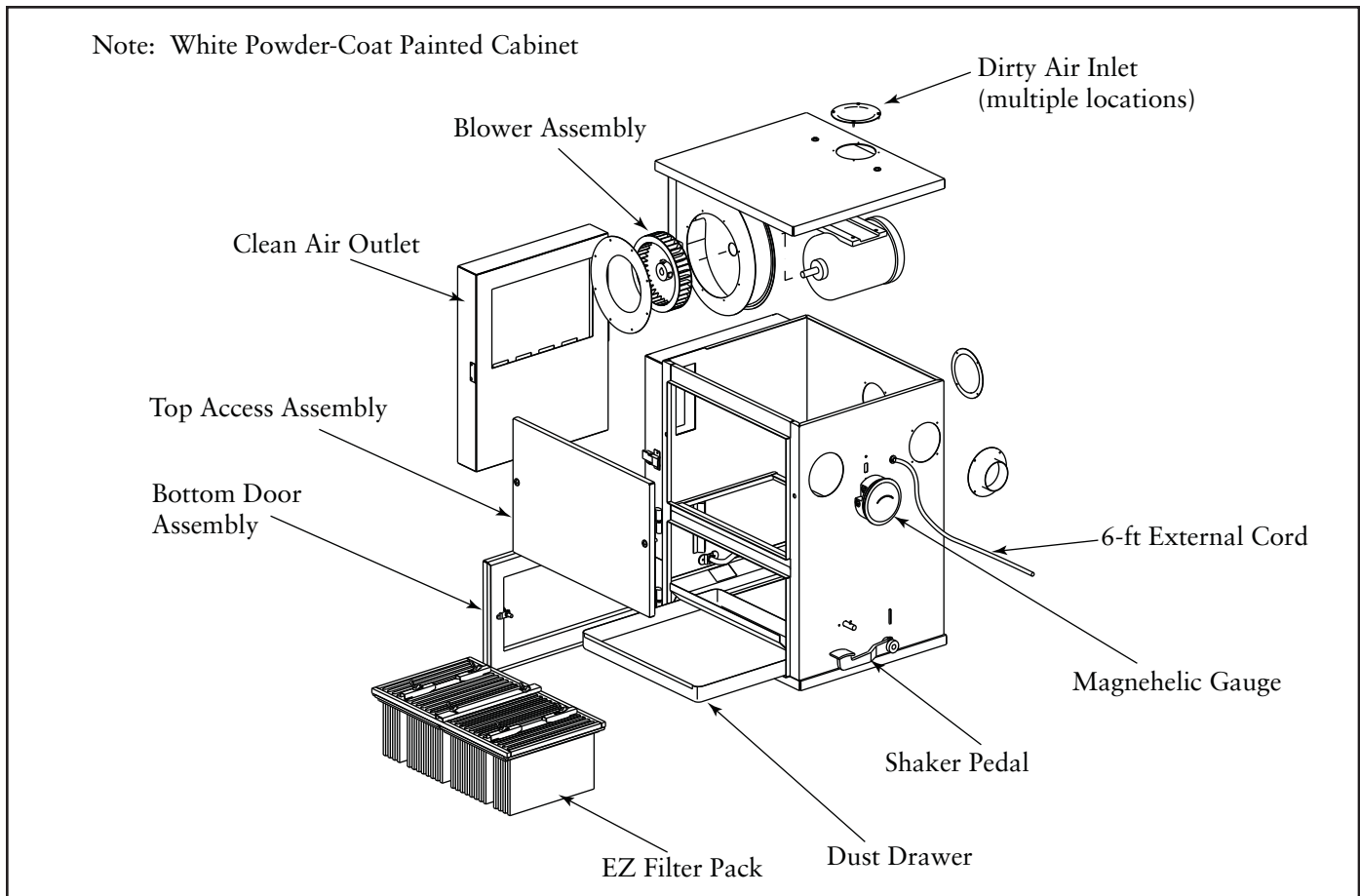
Static Clean cabinet dust collectors provide high efficiency air cleaning using the EZ Filter Pack system. The filter bags of the EZ Filter Pack are cleaned by shaking. The standard manual shaker is operated by the dust collector operator.

Purpose and Intended Use



Misuse or modification of this equipment may result in personal injury.

Do not misuse or modify.



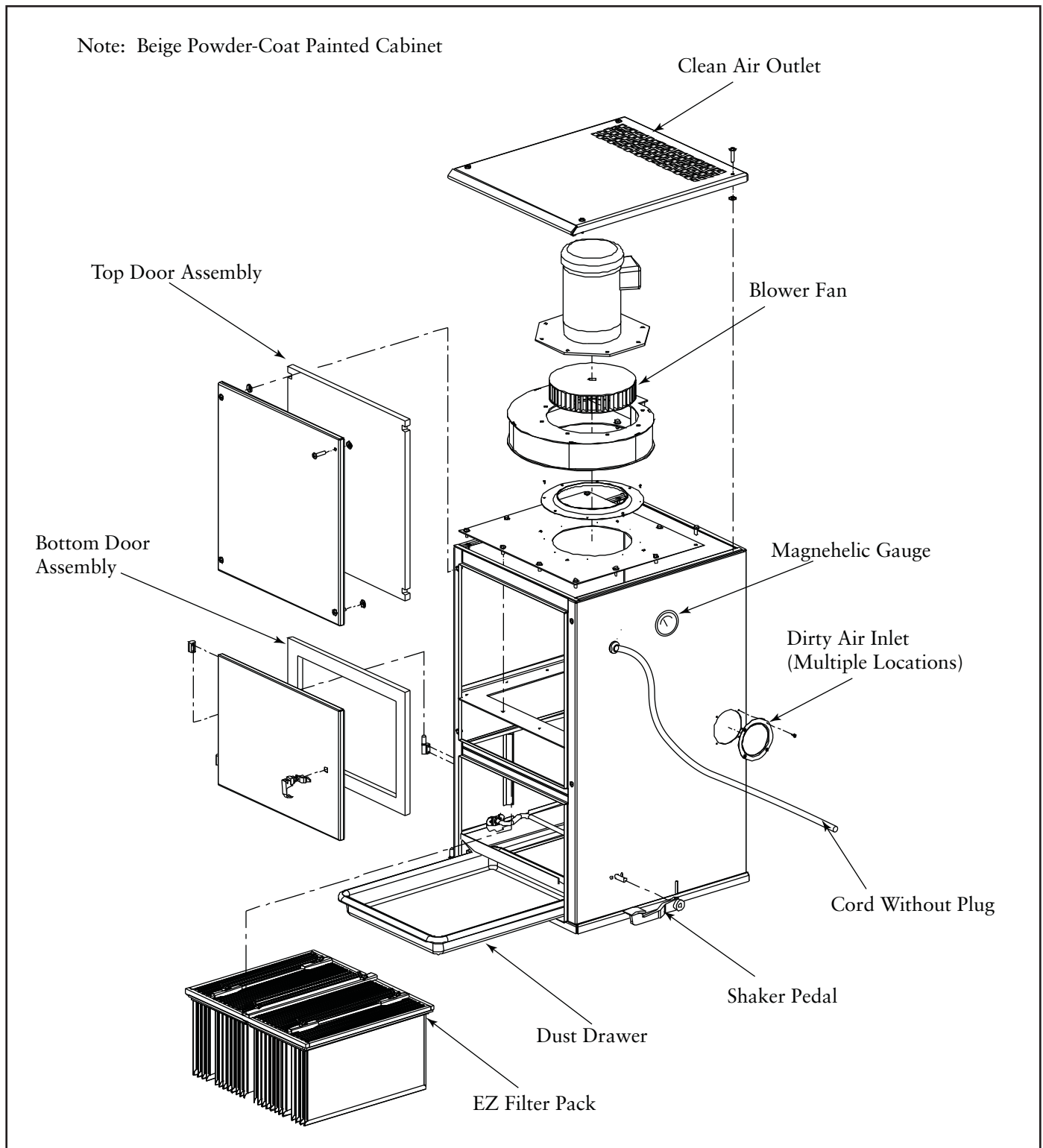
VQM5003



Combustible materials such as buffing lint, paper, wood, metal dusts, weld fume, or flammable coolants or solvents represent potential fire and/or explosion hazards. Use special care when selecting, installing, and operating all dust, fume, or mist collection equipment when such combustible materials may be present in order to protect workers and property from serious injury or damage due to a fire and/or explosion.

Consult and comply with all National and Local Codes related to fire and/or explosion properties of combustible materials when determining the location and operation of all dust, fume, or mist collection equipment.

Donaldson Torit equipment is *not* equipped with fire extinguishing or explosion protection systems.

**VQM5005 and VQM5012**

Operation

Dust laden air enters the unit through the dirty air inlet and passes through the cabinet where dust is collected on the outside surfaces of the filter media. The cleaned air flows up through the center of the EZ Filter Pack and into the clean air plenum. It enters the blower fan and exits through the blower exhaust located on top (model VQM5005 and VQM5012) or side (model VQM5003) of the collector.

Filter cleaning should be done only after the blower fan is shut off and the blower fan rotation has stopped in approximately 60 seconds.

CAUTION Manual or hand cleaning of the EZ Filter Pack will result in employee exposure to collected contaminant.

Proper safety procedures should be exercised during this and other maintenance of the collector.

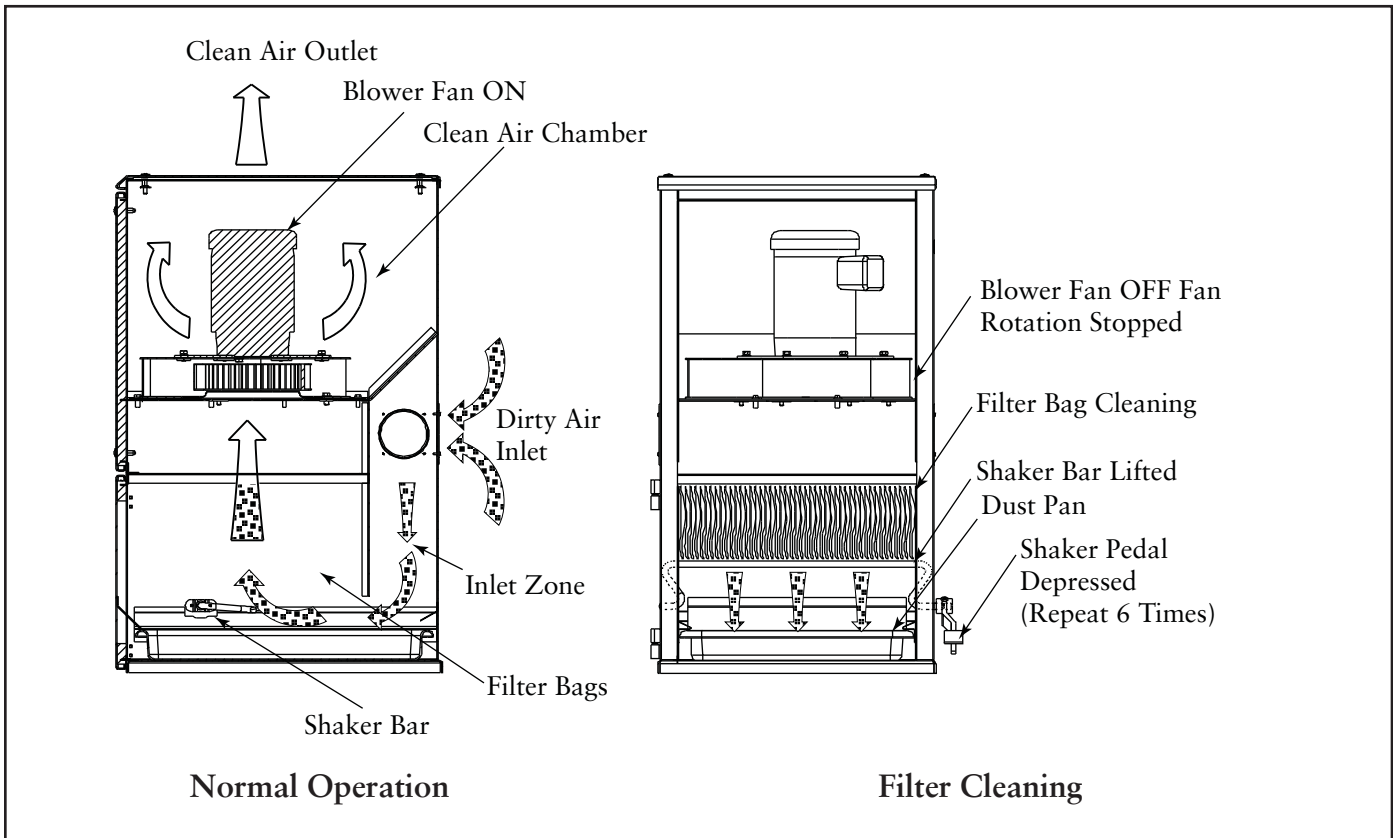
NOTICE

Shaking the EZ Filter Pack during fan rotation causes the dust to penetrate into the filter media, which will affect the filter pack life and efficiency.

Care should be taken when manually or hand cleaning the EZ Filter Pack to prevent tearing or puncturing the filter media.

EZ Filter Pack cleaning is accomplished by pushing down vigorously on the shaker pedal and releasing rapidly. The shaker is hand or foot-pedal operated. This action causes the excess dust that has accumulated on the filter surfaces to fracture and fall off into the dust storage area. The filter pack cleaning should be repeated for six consecutive times.

If collected material sticks to the filter packs, it may require manual and hand cleaning.



Unit Operation (VQM5005 Shown)

Inspection on Arrival

1. Inspect unit on delivery.
2. Report any damage to the delivery carrier.
3. Request a written inspection report from the Claims Inspector to substantiate claim.
4. File claims with the delivery carrier.
5. Compare unit received with description of product ordered.
6. Report incomplete shipments to the delivery carrier and your Static Clean representative.
7. Remove crates and shipping straps. Remove loose components and accessory packages before lifting unit from truck.

Installation Codes and Procedures



OSHA may have requirements regarding recirculating filtered air in your facility. Consult with the appropriate local authorities to ensure compliance with all codes regarding recirculating filtered air.

- Safe and efficient operation of the unit depends on proper installation.
- Authorities with jurisdiction should be consulted before installing to verify local codes and installation procedures. In the absence of such codes, install unit according to the National Electric Code, NFPA No. 70-latest edition.
- A qualified installation and service agent must complete installation and service of this equipment.
- All shipping materials, including shipping covers, must be removed from the unit prior to, or during unit installation.

NOTICE

Failure to remove shipping materials from the unit will compromise unit performance.

Installation

Site Selection, Grade-Mounted Units

1. The unit can be located on a reinforced concrete foundation. Indoor installation is typical for these units. Direct exposure to wind, rain, and snow has not been considered in the design.
2. No special installation accommodations are required for these units.

Unit Location



Static Clean equipment is not designed to support site-installed ducts, interconnecting piping, or electrical services. All ducts, piping, or electrical services supplied by others must be adequately supported to prevent severe personal injury and/or property damage.

1. When hazardous conditions or materials are present, consult with local authorities for the proper location of the collector.
2. Foundation support must be sized to accommodate the entire weight of the unit, plus the weight of the collected material, piping, and ductwork. Reference the Specification Information.
3. Locate the collector to ensure the shortest and straightest inlet- and outlet-duct length, easy access to electrical and compressed-air connections, and routine maintenance.

When hazardous conditions or materials are present, consult with local authorities for the proper location of the collector.

Foundation must be capable of supporting the entire weight of the unit, plus the weight of the collected material, piping, and ductwork.

Electrical Wiring

CAUTION

Electrical installation must be performed by a qualified electrician and comply with all applicable national and local codes.

Lock out electrical power sources before performing service or maintenance work.

Do not install in classified hazardous atmospheres without an enclosure rated for the application.

- All electrical wiring and connections, including electrical grounding, should be made in accordance with the National Electric Code, NFPA No. 70-latest edition.
- Check local ordinances for additional requirements that apply.
- The appropriate wiring schematic and electrical rating must be used. See unit's rating plate for required voltage.
- If the unit is not furnished with a factory-mounted disconnect, an electric disconnect switch having adequate amp capacity shall be installed in accordance with Part J, Article 430 of the National Electric Code, NFPA No. 70-latest edition. Check unit's rating plate for voltage and amperage ratings.

Motor Starter

CAUTION

Check the exhaust outlet to be sure it is not blocked or that material is not stored over the fan exhaust opening. Stand clear of the fan exhaust during the rotation check.

Do not run the fan motor at full speed with the doors off of the collector. Overload to the fan motor will occur.

VQM5003

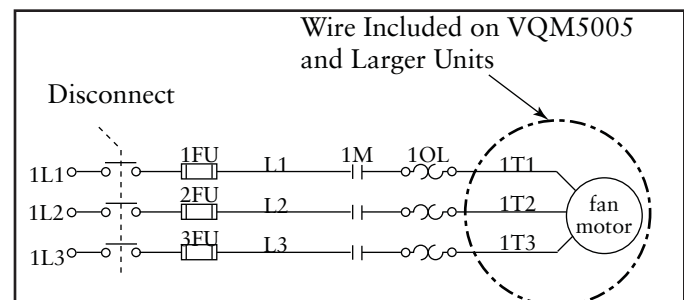
1. Smaller cabinets include a prewired single phase motor starter in line to the blower motor.
2. 60 Hz motors are wired 110V/60/1 Phase and include a standard plug. 50 Hz motors are wired 220/50/1 Phase and do not include a plug. If supply power other than these are

used, the motor must be rewired by a qualified electrician as specified on the motor's nameplate. Any starter and wiring modifications are the responsibility of the user.

3. Start, then stop the fan motor and check for proper fan rotation as indicated by the rotation arrow on the fan housing. Proper fan rotation is extremely important. Even if the fan is running in the wrong direction, it will deliver approximately 40% of its rated air volume. If the fan rotation is wrong, switch common and hot lead wires at the motor junction box.

VQM5005 and Larger

1. Larger cabinets include a prewired, three phase blower motor with attached cord. Motor disconnect, short-circuit protection, contactor, and overload are the customer's responsibility.
2. 60 Hz motors are wired 230V/60 Hz/3 Phase. 50 Hz motors are wired 380V/50 Hz, 3 Phase. If supply power other than these are used, the motor must be rewired by a qualified electrician as specified on the motor's nameplate. Any starter modifications are the responsibility of the user.
3. Start, then stop the fan motor and check for proper fan rotation as indicated by the rotation arrow on the fan housing. Proper fan rotation is extremely important. Even if the fan is running in the wrong direction, it will deliver approximately 40% of its rated air volume. If the fan rotation is wrong, interchange any two wire leads (3 phase only) on the output side of the fan motor starter.



Motor Starter Wiring Diagram

Standard Equipment

Static Clean units include a flush mounted Magnehelic gauge to monitor the internal filter condition continuously. No field connection (or mounting) is required.

Zero and maintain the gauge as directed in the manufacturer's Operating and Maintenance Instructions provided.

Ductwork

1. Inlet collars may be located on the side, top, or back of the cabinet inlet zone for specific models. Reference the Specification Information. Remove the desired inlet-cover plate and install the inlet collar using the same screws.
2. Use connecting ductwork as supplied or specified for the WebVAC, by Static Clean.

Start-Up

Instruct all personnel on safe use and maintenance procedures.



WARNING Do not stand on collector. Personal injury or death can result from standing or walking on collector.



CAUTION Electrical service must be performed by a qualified electrician and comply with all applicable national and local codes.

Lock out electrical power sources before performing service or maintenance work.

NOTICE

Make sure that the collector doors are installed and tightened securely.

1. Turn the dust collector ON and check that the inlet duct is open to the source of particulate being collected.
2. When the airflow becomes low, turn the unit off and shake the EZ Filter Pack as described in Filter Cleaning and shown in Unit Operation.

Service Information

Instruct all personnel on safe use and maintenance procedures.



WARNING Do not stand on collector. Personal injury or death can result from standing or walking on collector.



CAUTION Electrical service must be performed by a qualified electrician and comply with all applicable national and local codes.

Lock out electrical power sources before performing service or maintenance work.

Cabinet Maintenance

1. Turn the dust collector OFF, and open the lower door assembly.
2. Empty the dust drawer whenever it becomes 2/3 full. Also remove any dust that has settled to the bottom of the collector.

EZ Filter Pack Maintenance

1. Clean the EZ Filter Pack a minimum of once a day. A good practice is to clean the filters at break periods and lunch schedules. See Filter Cleaning.

NOTICE

The blower fan must be turned OFF and fan rotation stopped (approximately 60 seconds) before cleaning the EZ Filter Pack.

Magnehelic Gauge Indicator

Gauge Reading	Filter Condition
.50 to .75 "wg	New filter
2 to 3 "wg	Seasoned filter in good condition
3 to 4 "wg	Filter clogged and needs cleaning
4.5 to 8 "wg and won't recover after cleaning	Filter clogged and requires replacement
0 "wg and dust everywhere	Hole in filter and replacement is necessary

2. If the collected material begins to stick and accumulate on the filter surface, they may require occasional manual or hand cleaning.

EZ Filter Pack Installation

NOTICE

Care should be taken to prevent tearing or puncturing of filter media. Severe leakage will result.

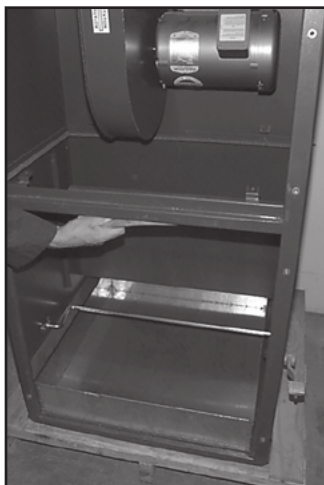
EZ Filter Pack Installation Instructions

STEP 1



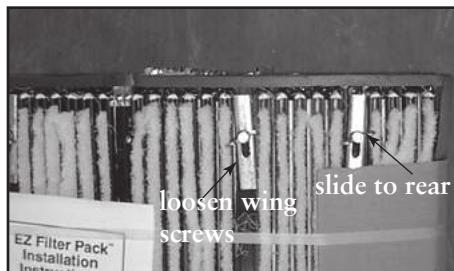
- Remove upper door and open lower door.
- Remove and discard set screws and hold-down channels.
- Remove old envelope bags.

STEP 2



- Clean bottom of cabinet ledge with stiff brush.
- Note: The EZ Filter Pack seals against the bottom of the cabinet ledge.
- Remove and empty dust pan.

STEP 3



- Remove banded EZ Filter Pack from box. Do not remove bands.
- Fully loosen wing screws.
- Move slide latches to the rear—away from gasket.

STEP 4



- Insert banded EZ Filter Pack over shaker bar.

STEP 5



- Rest banded EZ Filter Pack on shaker bar.

STEP 6



- Cut and remove bands.
- Remove cardboard protectors.

STEP 7



- Insert one hand midway under each side of the EZ Filter Pack.
- Push EZ Filter Pack to bottom of cabinet filter frame.

STEP 8 - IMPORTANT



- Place one hand under center of EZ Filter Pack.
- Hold EZ Filter Pack against bottom of cabinet ledge.
- Push each slide latch over cabinet ledge.
- Do not tighten wing screws at this time.

STEP 9



- Adjust EZ Filter Pack for good fit.
- Finger tighten wing screws.

STEP 10



- Remove support bar from box.

STEP 11



- Place support bar over center of EZ Filter Pack.

STEP 12



- Insert small wing screws through holes in support bar.
- Hand tighten all wing screws.

STEP 13



- Inspect filter seal.
- Insert clean dust pan.
- Install and close doors.

Optional Equipment

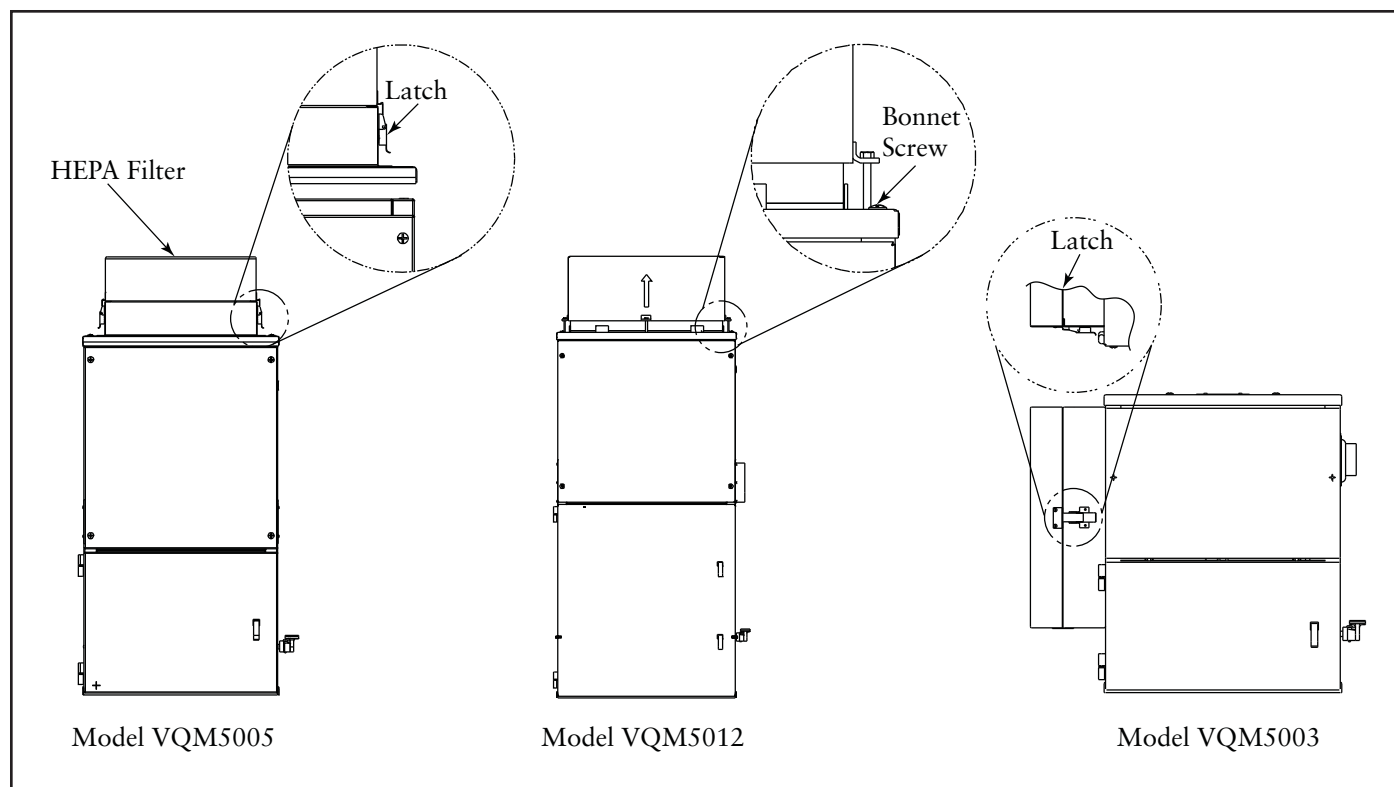
HEPA Filter Pack

HEPA Installation Model VQM5003 and VQM5005

1. Open the latches on both sides of the HEPA frame.
2. Remove filter and dispose of properly.
3. Install new filter with the gasket side facing the HEPA frame and the airflow direction arrow pointing out.
4. Fasten latches.

HEPA Installation Model VQM5012

1. Remove bonnet screws on all sides of the HEPA filter frame.
2. Remove filter and dispose of properly.
3. Carefully install new filter with the gasket side facing the top frame and replace bonnet.
4. Tighten the bonnet screws evenly to provide equal tension on the filter.



Troubleshooting

Problem	Probable Cause	Remedy
Blower fan and motor do not start	Not wired correctly	Check and correct motor wiring for supply voltage. See motor manufacturer's wiring diagram. Follow wiring diagram and the National Electric Code.
	Unit not wired for available voltage	Correct wiring for proper supply voltage.
	Input circuit down	Check power supply to motor circuit on all leads.
	Electrical supply circuit down	Check power supply circuit for proper voltage. Check for fuse or circuit breaker fault. Replace as necessary.
Blower fan and motor start, but do not stay running	Incorrect motor starter installed	Check for proper motor starter and replace if necessary.
	Access doors are open or not closed tight	Close and tighten access doors. See Filter Replacement.
	Damper control not adjusted properly	Check airflow in duct. Adjust damper control until proper airflow is achieved and the blower motor's amp draw is within the manufacturer's rated amps.
	Electrical circuit overload	Check that the power supply circuit has sufficient power to run all equipment.
Clean-air outlet discharging dust	Filters not installed correctly	See Filter Replacement.
	Filter damage or holes in media	Replace filters as necessary. Use only genuine replacement parts. See Filter Replacement.
Insufficient airflow	Fan rotation backwards	Proper fan rotation for models VQM5005 and VQM5012 is clockwise when looking down at the blower motor; counter-clockwise for model VQM5003 when viewed from the front with the upper access panel removed.
	Access doors open or not closed tight	Check that all access doors are in place and secured.
	Fan exhaust area restricted	Check fan exhaust area for obstructions. Remove material or debris. Adjust damper flow control.

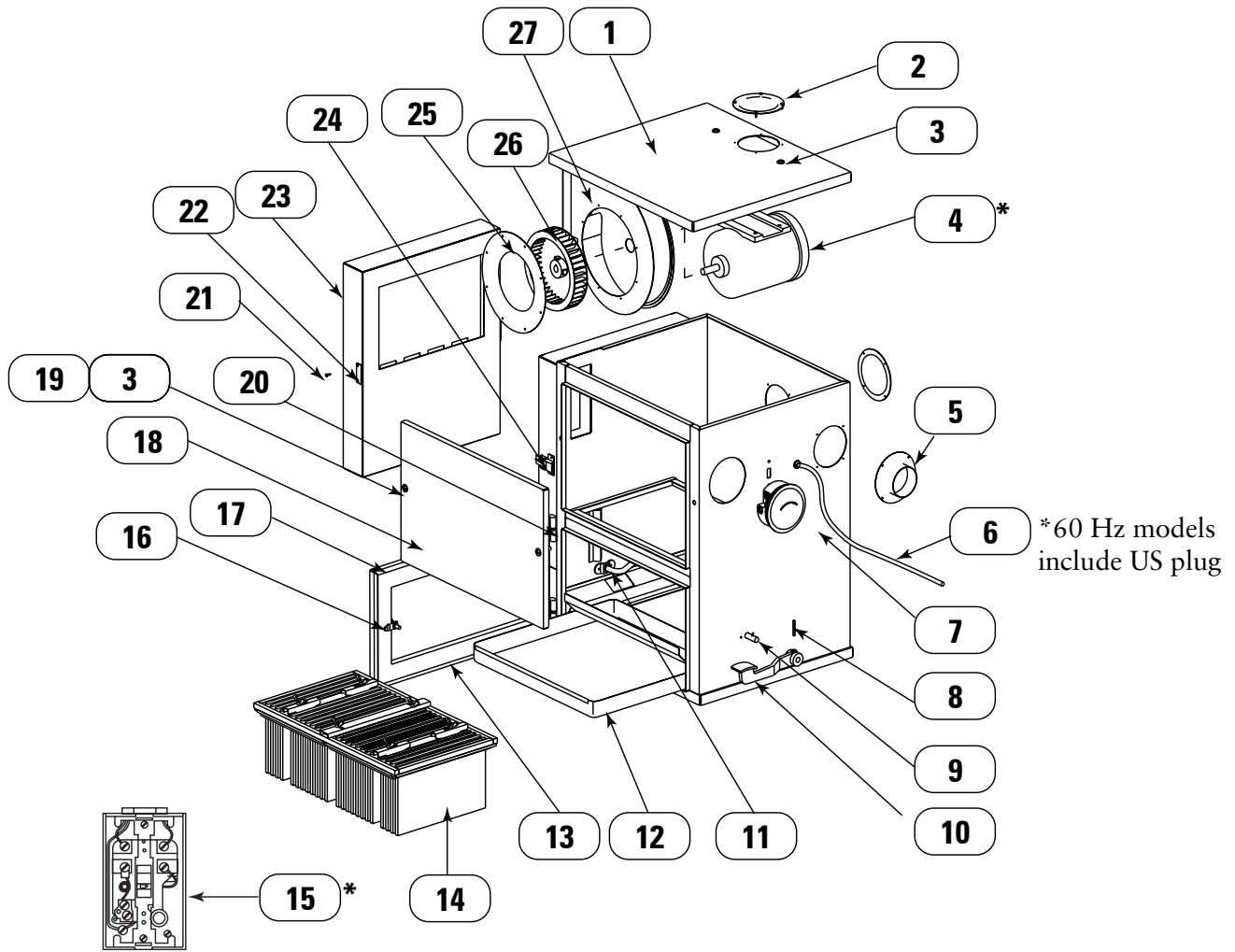
Troubleshooting

Problem	Probable Cause	Remedy
Insufficient airflow (continued)	Dust storage area overfilled or plugged	Clean out dust storage area. See Cabinet Maintenance.
	Collapsed or plugged duct	Clean duct of all debris. Replace collapsed duct.
	Improper duct sizing	Contact Static Clean for assistance.
	EZ Filter Pack plugged	Shake filter packs a minimum of once a day. Brush or manually clean filter packs plugged with sticky or fibrous material. Replace filter packs that do not clean properly by shaking.
	Manual shaker mechanism malfunctioning	Check that the roll pin is in place. Replace if necessary.

Replacement Parts List

Static Clean Collector Model VQM5003

Note: White Powder-Coat Painted Cabinet



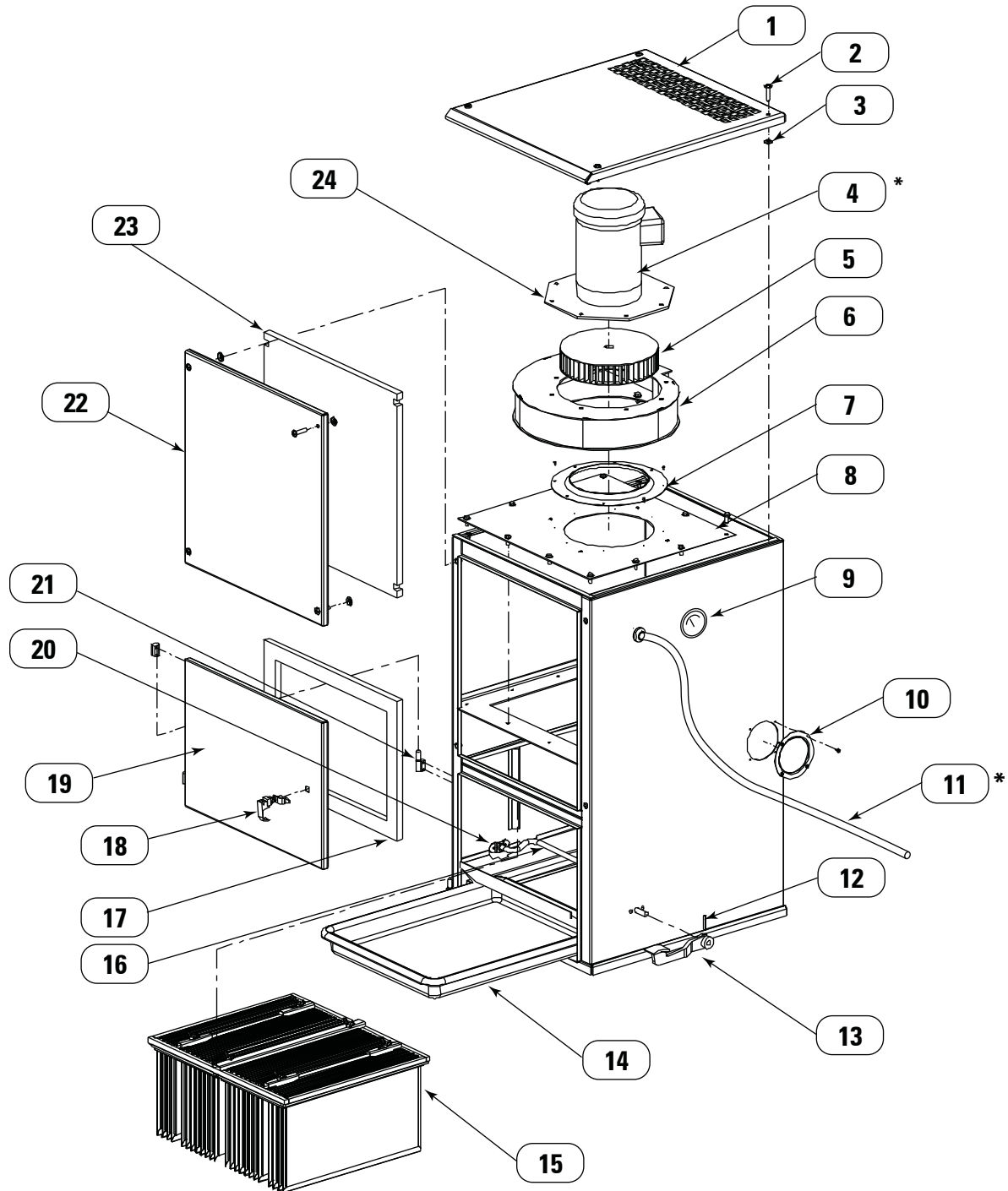
* CE approved component on 50 Hz option

Static Clean Collector Model VQM5003

Item	Part Number	Description	Model
1	SN1642201	Panel Top Weld	VQM5003, 60 Hz
	AD3846901	Panel Top Weld	VQM5003, 50 Hz
2	2753800	Cap Plug 4-in	VQM5003, 50/60 Hz
3	0909366	Screw, 5/16-18 Phillips Head	VQM5003, 50/60 Hz
4	0117600	Motor, 3/4 Hp TEFC 3450, 110/220/60/1, 56, 5/8-in Shaft	VQM5003, 60 Hz
	9646301	Motor, 3/4 Hp TEFC 2850, 110/220/50/1, 56, 5/8-in Shaft (CE approved motor)	VQM5003, 50 Hz
5	VQMC5003IL3	Inlet Pack 3.00 OD	VQM5003
6	2846402	6-ft Cord with US Plug	VQM5003, 60 Hz
	AD3858601	6-ft Cord without Plug (CE approved)	VQM5003, 50 Hz
7	7545201	Magnehelic Gauge 0-8-in Dual Scale	VQM5003, 50/60 Hz
8	0627800	Roll Pin, 3/16-in x 1 1/2-in	VQM5003, 50/60 Hz
9	2768401	Shaker Bar, 50 Cab Steel, Manual	VQM5003, 50/60 Hz
10	0010900	Shaker Foot Pedal	VQM5003, 50/60 Hz
11	0011902	Bracket, Support, Pivot Rod	VQM5003, 50/60 Hz
12	1152501	Dust Pan Weld	VQM5003, 50/60 Hz
13	5783701	Gasket, Foldout Lower Door	VQM5003, 50/60 Hz
14	VQMFLT5003	EZ Filter Pack 50 Cotton Sateen	VQM5003, 50/60 Hz
15	2797000	Manual Starter, Single Phase (CE approved switch)	VQM5003, 50/60 Hz
16	5713001	Latch, Lift and Turn	VQM5003, 50/60 Hz
17	5787701	Door Assembly Bottom	VQM5003, 50/60 Hz
18	SN1642205	Door Assembly Top	VQM5003, 50/60 Hz
19	2129200	Retaining Ring, Push-On	VQM5003, 50/60 Hz
20	4020101	Hinge, Lift-Off, Right Hand	VQM5003, 50/60 Hz
21	5861202	Rivet, Closed Eng, 0.125	VQM5003, 50/60 Hz
22	3873502	Latch Keeper	VQM5003, 50/60 Hz
23	SN1642211	Exhaust Silencer Assembly	VQM5003, 50/60 Hz
24	3873501	Draw Latch	VQM5003, 50/60 Hz
25	1500100	Blower Inlet Ring, 5.75-in ID x 9.00-in BC	VQM5003, 60 Hz
	1053600	Blower Inlet Ring, 6.75-in ID x 9.25-in BC	VQM5003, 50 Hz
26	1035100	Wheel, Steel, 7.69-in diameter x 1.5-in wide, 5/8-in Bore	VQM5003, 60 Hz
	1898000	Wheel, Steel, 8.38-in diameter x 3.5-in wide, 5/8-in Bore	VQM5003, 50 HZ
27	SN1642208	Power Pack 3/4 Hp, 60 Hz	VQM5003, 60 Hz
	AD3846801	Power Pack 3/4 Hp, 50 Hz (includes items 1, 24, and 25)	VQM5003, 50 Hz
Not Illustrated			
	WVCSLGAT3	Blast Gate, 3-in	VQM5003, 50/60 Hz

Static Clean Collector Model VQM5005 and VQM5012

Note: Beige Powder-Coat Painted Cabinet



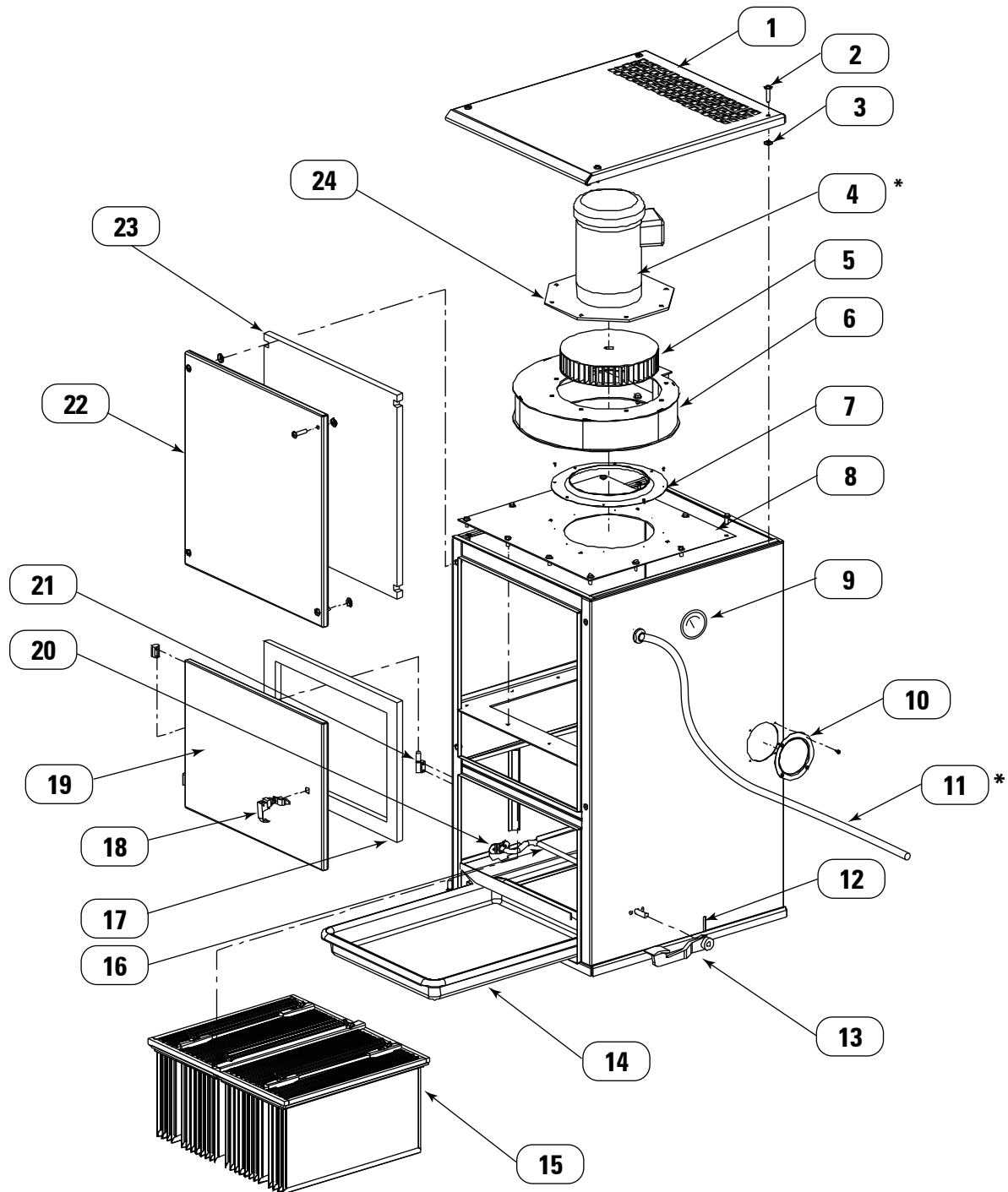
*CE approved component on 50 Hz option

Static Clean Collector Model VQM5005 and VQM5012

Item	Part Number	Description	Model
1	9339301	Panel, Top Cover	VQM5005
	9405301	Panel, Top Cover	VQM5012
2	0909366	Screw, 5/16-18 Phillips Head	VQM5005/5012
3	2129200	Retaining Ring, Push-On	VQM5005/5012
4	1557800	Motor, 1 1/2 Hp TEFC 3450, 208-230/460/60/3, 143TC, 7/8-in Shaft	VQM5005, 60 Hz
	9436001	Motor, 1 1/2 Hp TEFC 2900, 220/380/440/50/3, 143TC, 7/8-in Shaft (CE approved motor)	VQM5005, 50 Hz
	0172700	Motor, 3 Hp TEFC 3450, 208-230/460/60/3, 182TC, 1 1/8-in Shaft	VQM5012, 60 Hz
	2202100	Motor, 3 Hp TEFC 2900, 220/380/440/50/3, 182TC, 1 1/8-in Shaft (CE approved motor)	VQM5012, 50 Hz
5	1034300	Wheel, Steel 7/8-in Diameter Bore, 7.69-in Diameter x 3.50-in Wide	VQM5005, 60 Hz
	1075700	Wheel, Steel 7/8-in Diameter Bore, 9.93-in Diameter x 3.00-in Wide	VQM5005, 50 Hz
	1201800	Wheel, Steel 7/8-in Diameter Bore, 9.19-in Diameter x 2.00-in Wide	VQM5012, 60 Hz
	1228601	Wheel, Steel 1 1/8-in Diameter Bore, 10.63-in Diameter x 4.00-in Wide	VQM5012, 50 Hz
6	9344002	Blower Housing	VQM5005, 60 Hz
	9436201	Blower Housing	VQM5005, 50 Hz
	5932301	Blower Housing	VQM5012, 60 Hz
	9431001	Blower Housing	VQM5012, 50 Hz
7	5730401	Ring, Inlet Blower, 5.62-in ID x 8.00 BC	VQM5005, 60 Hz
	1151906	Ring, Inlet Blower, 8.00-in ID x 11.00 BC	VQM5005, 50 Hz
	1054000	Ring, Inlet Blower, 7.25-in ID x 9.75 BC	VQM5012, 60 Hz
	1151909	Ring, Inlet Blower, 9.00-in ID x 11.75 BC	VQM5012, 50 Hz
8	9406002	Fan Support Plate	VQM5005, 60 Hz
	9406004	Fan Support Plate	VQM5005, 50 Hz
	9406001	Fan Support Plate	VQM5012, 60 Hz
	9406003	Fan Support Plate	VQM5012, 50 Hz
9	6638809	Magnehelic Gauge 0-8-in	VQM5005, 5012
10	2753800	Cap Plug 4-in	VQM5005
	2765600	Cap Plug 6-in	VQM5012
11	9338402	Power Cord without Plug	VQM5005/5012-60 Hz
	AD3858701	Power Cord without Plug (CE approved)	VQM5005/5012-50 Hz
12	0627800	Roll Pin, 3/16-in x 1 1/2-in	VQM5005/5012

Static Clean Collector Model VQM5005 and VQM5012

Note: Beige Powder-Coat Painted Cabinet



*CE approved component on 50 Hz option

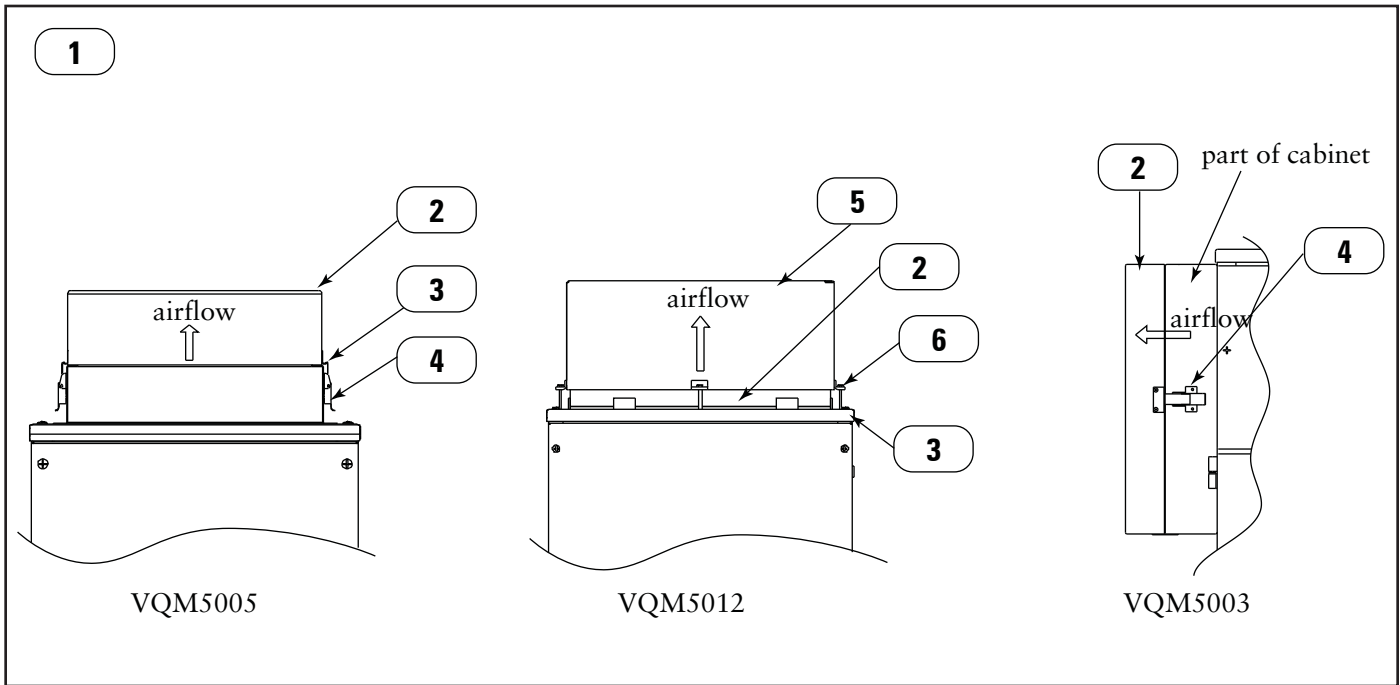
Static Clean Collector Model VQM5005 and VQM5012

Item	Part Number	Description	Model
13	0010900	Shaker Foot Pedal	VQM5005/5012
14	7534301	Dust Drawer	VQM5005
	2432500	Dust Drawer	VQM5012
15	VQMFLT5005	EZ Filter Pack, 60 Cotton Sateen	VQM5005
	VQMFLT5012	EZ Filter Pack, 80 Cotton Sateen	VQM5012
16	2754501	Shaker Bar, 60 Cab Steel, Manual	VQM5005
	2756401	Shaker Bar, 80 Cab Steel, Manual	VQM5012
17	5783702	Gasket, Foldout Lower Door	VQM5005
	5783704	Gasket, Foldout Lower Door	VQM5012
18	5713001	Latch, Lift and Turn	VQM5005/5012
19	5787702	Door Assembly Bottom	VQM5005
	5787704	Door Assembly Bottom	VQM5012
20	0011902	Bracket, Support, Pivot Rod	VQM5005/5012
21	4020101	Hinge, Lift-Off, Right-Hand	VQM5005/5012
22	9339101	Door Assembly Top	VQM5005
	9378501	Door Assembly Top	VQM5012
23	9340801	Gasket Seal Top Door	VQM5005
	9379601	Gasket Seal Top Door	VQM5012
24	7666801	Motor Adapter Plate	VQM5005, 60 Hz
	5862903	Motor Adapter Plate	VQM5005, 50 Hz
	2464600	Motor Adapter Plate	VQM5012, 60 Hz
	5862902	Motor Adapter Plate	VQM5012, 50 Hz

Not Illustrated

	WVCSLGAT4	Blast Gate, 4-in	VQM5005
	WVCSLGAT6	Blast Gate, 6-in	VQM5012
	VQMC5005IL4	Inlet Pack 4.00 ID	VQM5005
	VQM5012IL6	Inlet Pack 6.00 ID	VQM5012

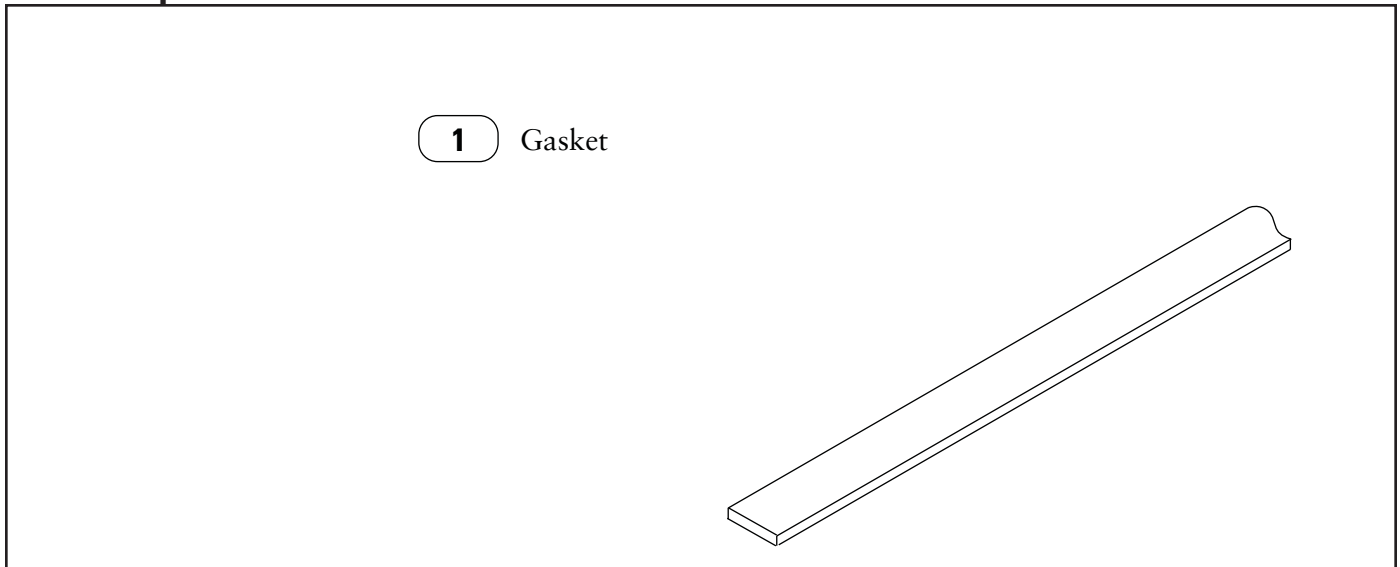
Optional HEPA Filter



Optional HEPA Filter

Item	Part Number	Description	Model
1	VQMHO5005	HEPA Filter Pack	VQM5005
	VQMHO5012	HEPA Filter Pack	VQM5012
2	VQMFLTH5003/5	Filter, Absolute HEPA	VQM5003, 5005
	VQMFLTH5012	Filter, Absolute HEPA	VQM5012
3	9396401	Cover with HEPA Mount	VQM5005
	9396402	Cover with HEPA Mount	VQM5012
4	3873501	Draw Latch	VQM5003, 5005
5	1474100	Bonnet Cover	VQM5012
6	0901011	Bolt, Hex, Steel, 5/16-18 x 2 3/4	VQM5012

Gasket Replacement



Gasket Replacement

Item	Part Number	Description	Model
1	5846701	Seal, 3.87-in Long, Dirty Air Side	VQM5003
	5846704	Seal, 13.44-in Long, Clean Air Side	VQM5003
	5846706	Seal, 22.06-in Long, Top Frame	VQM5003, 5005
	5846707	Seal, 28.12-in Long, Top Frame	VQM5012
	5846708	Seal, 26.94-in Long, Clean Air Side	VQM5012
	5846709	Seal, 24.06-in Long, Clean Air Side	VQM5005

Parts and Service Program

For genuine Static Clean replacement filters and parts, call 781-229-7799

Parts Ordering Information

When ordering parts, give model number and serial number, part number, description and quantity of parts desired.