

Static Control FL24VUC Ionizing Air Nozzle



The **FL24VUC Ionizing Air Nozzle** sets new standards in industrial static control technology, with powerful performance and all the benefits of advanced electronics integrated into the compact body. The **FL24VUC** is powered by 24 V DC.

The **FL24VUC** is the most powerful ionizing air nozzle available – in both ionization performance and cleaning capability.

■ APPLICATIONS

- The **FL24VUC** can be used in cleaning and static neutralization applications throughout industry, including robot arms, high-speed processing, packaging, labeling, and so many more

■ CONNECTIVITY & CONTROLS

- 24 V DC supply
- LED on body gives operational status, indicates if the ionizer needs cleaning
- Remote on/off switching with standby plus signal for operational status

■ HOW IT WORKS

- Ionization produced by the static eliminator is transported by the compressed air flowing from the nozzle. The ionized air neutralizes the static charge allowing the air to remove the contaminant, or to separate sheets. The **FL24VUC** can be fitted to robot arms for automatic processes. Due to its high-performance it is suitable for high-speed application. The blowing force is 2.4 N at 29 PSI / 2 Bar pressure



FL24VUC Ionizing Air Nozzle

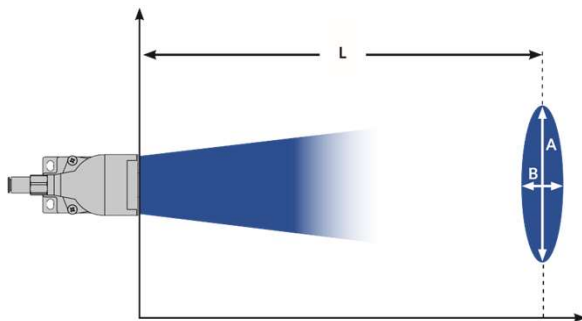
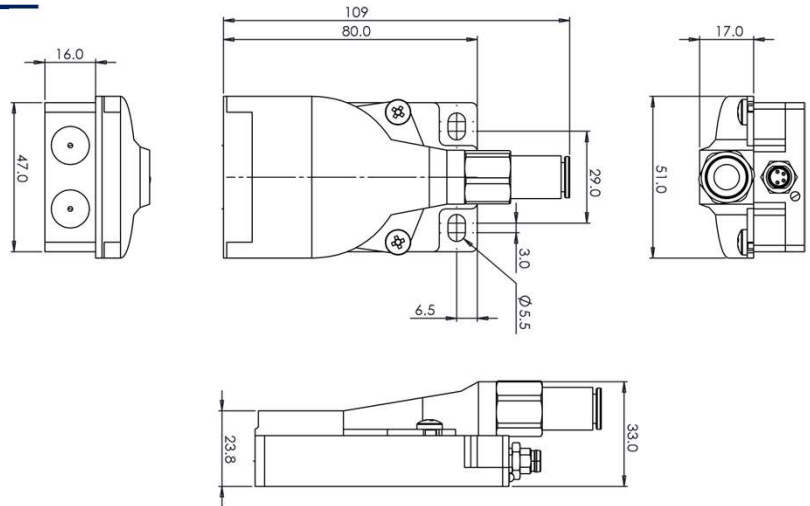
■ FEATURES & BENEFITS

- Faster Static neutralization than any competitive product
- The flat nozzle produces intense airflow which transports the ionizing air at high speed for optimal cleaning and blow-off capability
- Optimal cleaning distance: use at close range, typically 2~4" (50~100mm) for maximum thrust
- High cleaning thrust is achieved at lower air pressure, reducing air consumption and noise
- All electronics are fully encapsulated for protection and reliability
- Tungsten emitters guarantee a long life

Static Control FL24VUC Ionizing Air Nozzle



DIMENSIONS



Pressure	14.5 PSI / 1 Bar	43.5 PSI / 3 Bar	72.5 PSI / 5 Bar
Distance L (inch/mm)	750	900	900
Jet Dimension at L			
A (inch/mm)	6.7" / 170	8.3" / 210	9.4" / 240
B (inch/mm)	5.9" / 150	7.1" / 180	8.3" / 210

Specifications

Construction:	Static Eliminator: PVC body, epoxy resin encapsulant, tungsten emitters. Nozzle: aluminium.
Output Voltage:	+/- 7 kV supply integrated inside Ioniser.
Remote Monitor Local Status Indication:	Signals available: 'OK', 'Clean Me', 'Fault' and 'Standby'. Uses 24 V supply to send signal from the ionizer to the PLC or other destination. Outputs compatible with IEC 61131-2 Type 3 PLC inputs. Signal protected against short circuit or miswiring. Bi-color LED on ionizer body for local status indication.
Electrical Input:	24 V DC (21 – 28 V). Maximum current 0.25 A. M8 connector For PSU and cable options, see 3024 UC Datasheet
Air Supply:	Air Pressure: Max 145 PSI (10 Bar) Air Fitting: 1/4" PTC Push-To-Connect Air Consumption: 10.6 SCFM @ 29 PSI / 300 L/min @ 2 Bar Blowing Force: 2.4 N @ 29 PSI / 2 Bar
Weight	5.6 oz / 160 g (excluding connectors)
Environmental:	32 - 131 ° F / 0 - 55 ° C, 70 % rH non-condensing max. IP67
Certification:	CE and UL Certified (4203UC Ultra-Compact incorporated within FL24VUC)

Part Numbers For	FL24VUC Accessories & Spares
4203-31101	AC/DC Adapter 100~240VAC 50/60Hz to 24VDC, 1.5m (5ft) cable with M8 4-pin female connector & power cord w/ 115V NEMA 5-15 Plug
ASFRG14C	Dual-Stage Compressed Air Filter, Regulator & Gage w/5.0-micron primary filter and 0.03-micron secondary coalescing filter
4203UC	Ultra-Compact 24VDC Ionizer w/LED Indicator, M8 4-Pin Connector
790-0120	Flat Air-Jet Nozzle, Aluminum, 2.0" Wide

p: 781-229-7799 | www.staticclean.com | techsales@staticclean.com